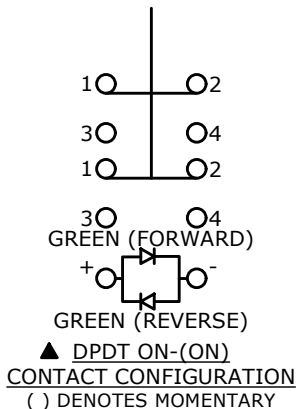


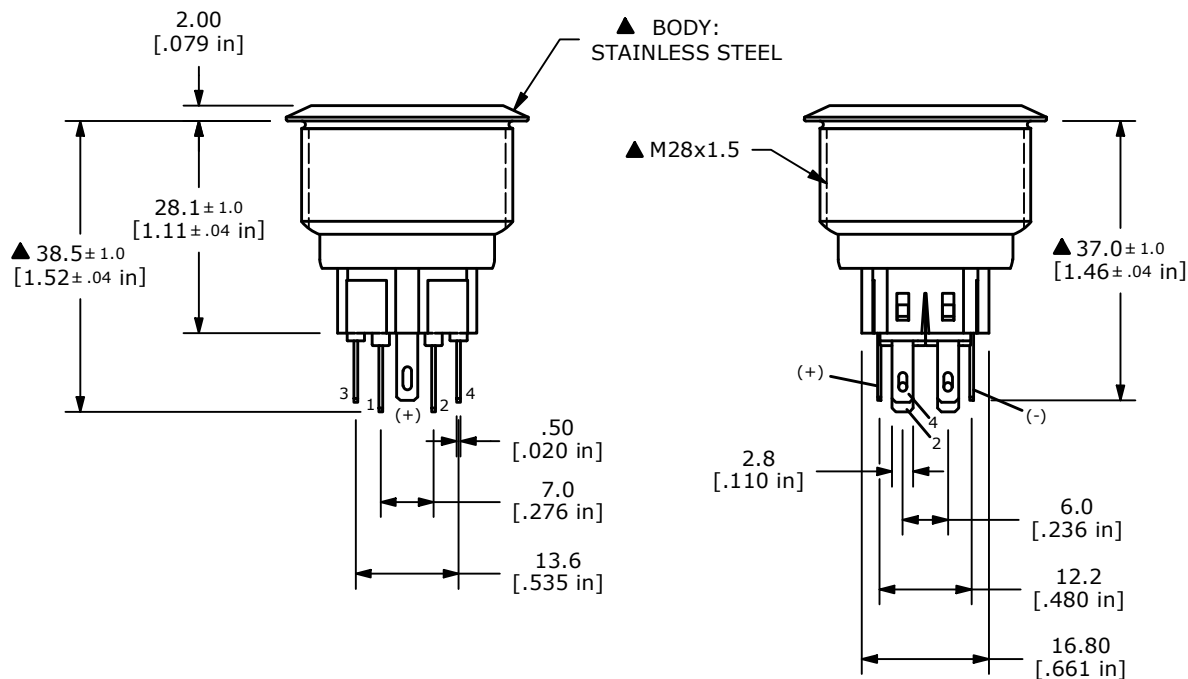
SWITCH FUNCTION	
POS. 1	POS. 2
1-2	(3-4)

() = MOMENTARY



NOTE:

- ALL DIMENSIONS IN MM [INCH]
- GENERAL TOLERANCE: X.X = ± 0.4
X.XX = ± 0.25
- TERMINAL NUMBERS FOR REF. ONLY
- RATING: 2A @ 48VDC
- CONTACT RESISTANCE: 50mΩ MAX. @ 1A 12VDC
- INSULATION RESISTANCE: 1,000MΩ @ 500VDC
- DIELECTRIC STRENGTH: 2,000VAC MIN. FOR 1 MINUTE
- ELECTRICAL LIFE: 50,000 CYCLES
- OPERATING TEMPERATURE: -20°C TO 55°C
- INGRESS PROTECTION: IP66
- ▲ DENOTES CRITICAL PARAMETER
- ▲ SUPPLIED HARDWARE: O-RING AND HEXNUT
- ▲ ILLUMINATION COLOR: GREEN
- ▲ ILLUMINATION VOLTAGE: BASE VOLTAGE 2.8 V



D	24637	UPDATE THREAD LENGTH TO 15.0	12/10/20	JM
C	23839	UPDATED RATING TO IP66	4/8/19	MJR
B	22589	Update to correct Housing	11/10/16	MW
REV	PCR NO	DESCRIPTION	DATE	BY



TITLE PV9F2V0SS-331				
SCALE 1:1	DATE 7/16/2014	DR RC	DWG 52-PV9F2V0SS331	REV D

THE INFORMATION CONTAINED IN THIS DOCUMENT IS PROPRIETARY TO E-SWITCH AND IS NOT TO BE COPIED OR TRANSFERRED